



ELECTRO-PARTS SpA

Designing and manufacturing of DC & BLDC Electric Motors | Gearmotors | Blowers | Fans

BRUSHED BLOWERS

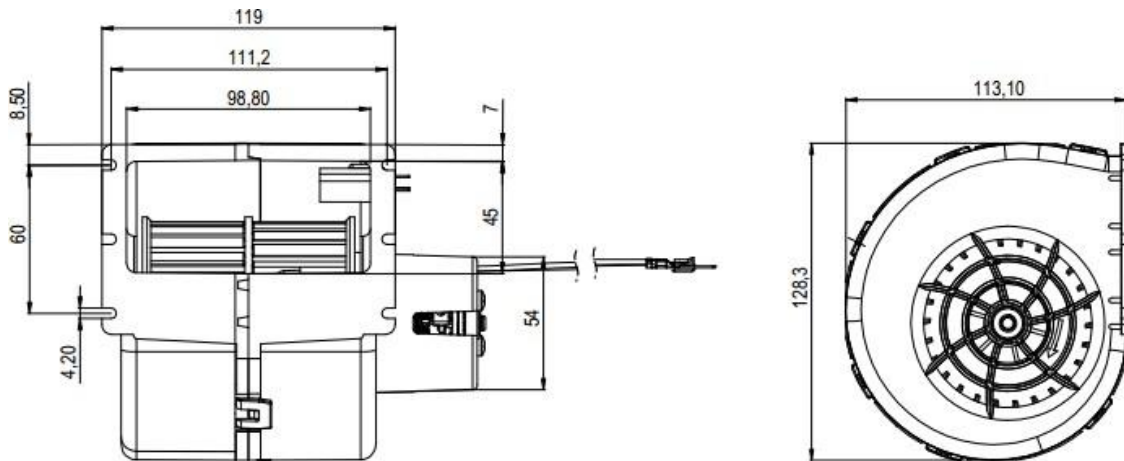
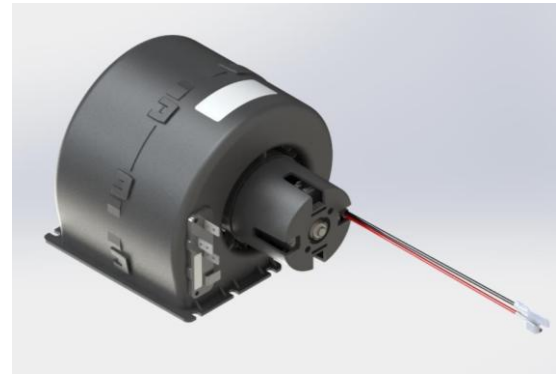
www.electro-parts.com



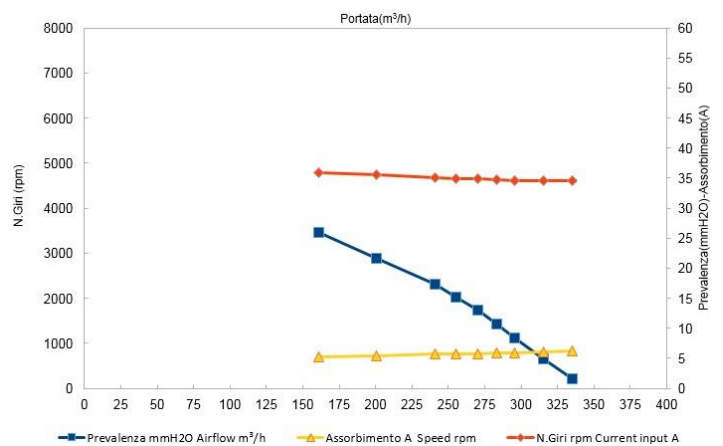
SUMMARY

▪ <u>233.5286 12V DC</u>	3
▪ <u>233.5287 12V DC</u>	4
▪ <u>233.5354 12V DC</u>	5
▪ <u>233.5355 24V DC</u>	6
▪ <u>233.5414 12V DC</u>	7
▪ <u>233.5460 12V DC</u>	8
▪ <u>233.5575 24V DC</u>	9
▪ <u>233.5615 24V DC</u>	10
▪ <u>233.5621 24V DC</u>	11
▪ <u>233.5644 24V DC</u>	12
▪ <u>233.5645 24V DC</u>	13
▪ <u>233.6152 12V DC</u>	14
▪ <u>233.6154 24V DC</u>	15
▪ <u>233.6258 12V DC</u>	16
▪ <u>233.6262 12V DC</u>	17
▪ <u>233.6568 12V DC</u>	18
▪ <u>233.6805 24V DC</u>	19

233.5286 12V DC

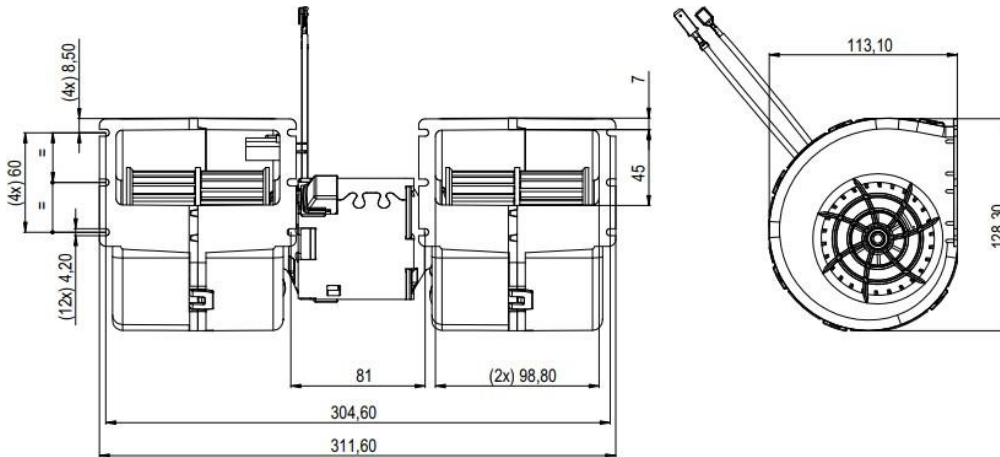
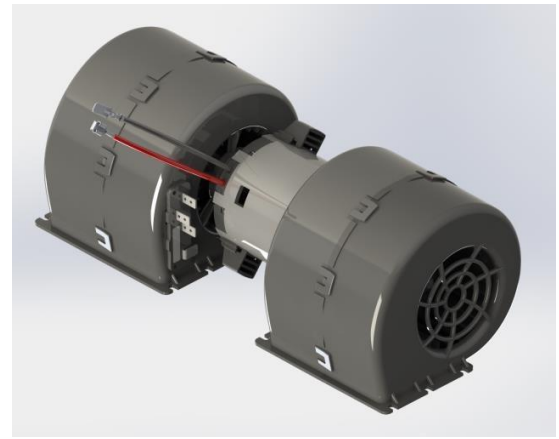


Airflow [m ³ /h]	Static Pressure [mm H ₂ O]	Speed [Rpm]	Current Input [A]
161	25.9	4790	5.2
201	21.6	4733	5.5
241	17.3	4675	5.7
256	15.2	4660	5.8
270	13.1	4645	5.8
283	10.7	4630	5.9
296	8.3	4615	5.9
315	5.0	4608	6.1
335	1.6	4600	6.2

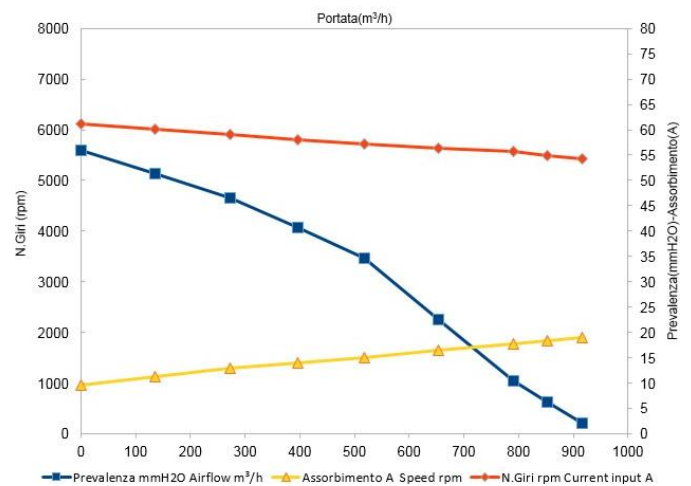


- Test voltage 13V d.c.
- 3 or 4 speed resistor

233.5287 12V DC

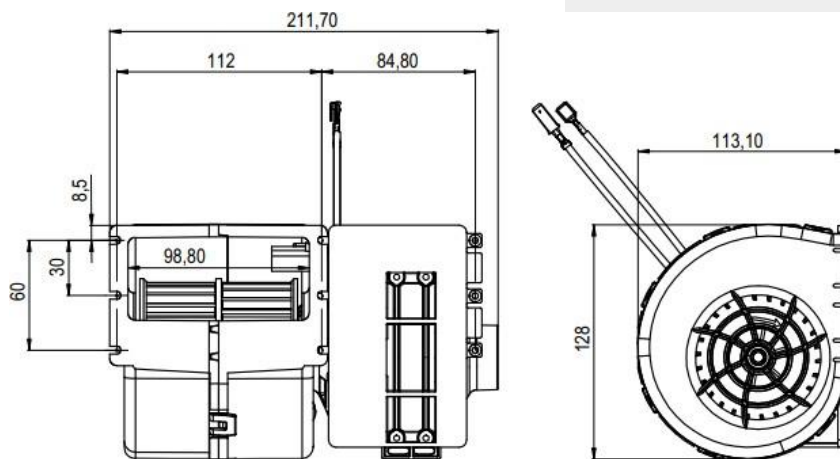


Airflow [m ³ /h]	Static Pressure [mm H ₂ O]	Speed [Rpm]	Current Input [A]
0	56.0	6115	9.7
136	51.3	6006	11.3
272	46.6	5897	12.9
395	40.6	5809	14.0
519	34.6	5720	15.1
654	22.5	5643	16.5
790	10.5	5566	17.8
853	6.3	5497	18.4
917	2.1	5428	18.9



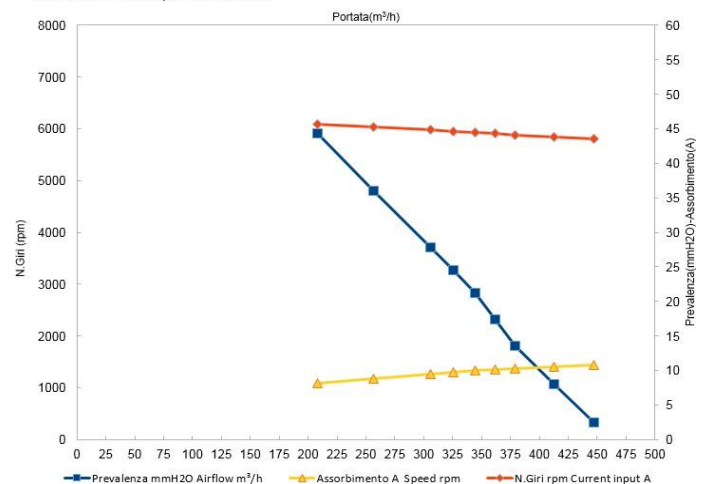
- Test voltage 13V d.c.
- 3 or 4 speed resistor

233.5354 12V DC



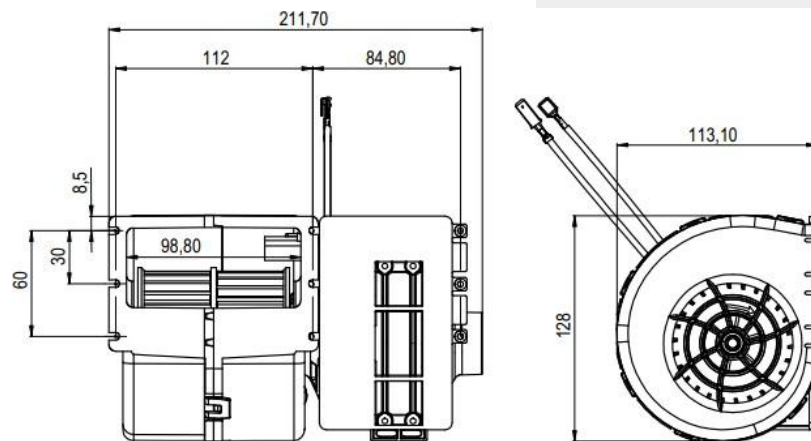
Airflow [m ³ /h]	Static Pressure [mm H ₂ O]	Speed [Rpm]	Current Input [A]
208	44.3	6080	8.1
257	36.0	6030	8.8
306	27.8	5980	9.5
325	24.5	5955	9.8
345	21.3	5930	10.0
362	17.4	5905	10.1
379	13.6	5880	10.2
413	8.0	5840	10.5
447	2.4	5800	10.8

Ventilatore Electroparts 233.5354

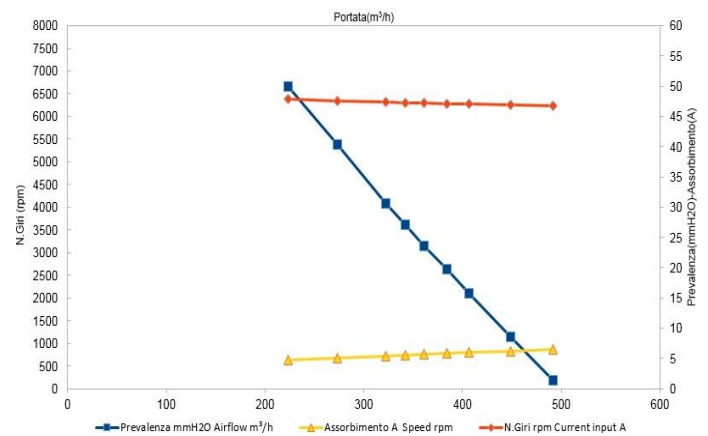


- Test voltage 13V d.c.
- 3 or 4 speed resistor

233.5355 24V DC

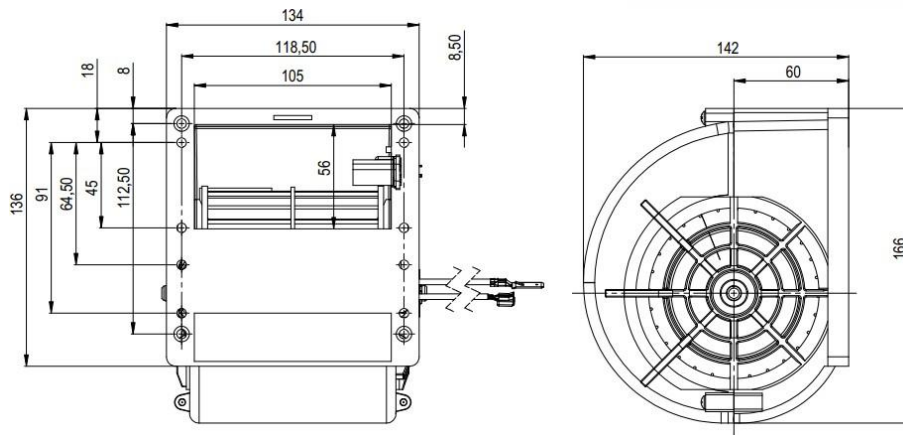
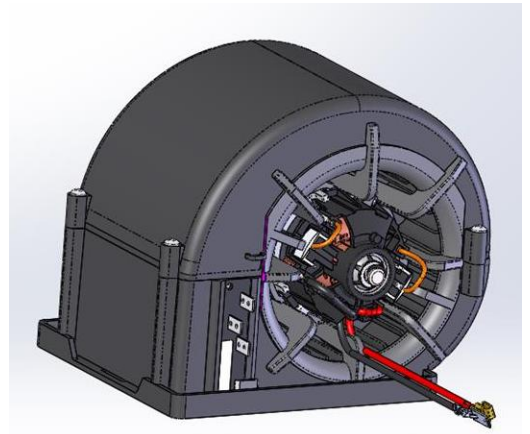


Airflow [m ³ /h]	Static Pressure [mm H ₂ O]	Speed [Rpm]	Current Input [A]
223	49.9	6380	4.7
273	40.3	6345	5.0
322	30.7	6310	5.3
342	27.2	6299	5.5
361	23.6	6288	5.7
384	19.7	6278	5.9
407	15.8	6268	6.0
449	8.6	6250	6.3
491	1.4	6232	6.5

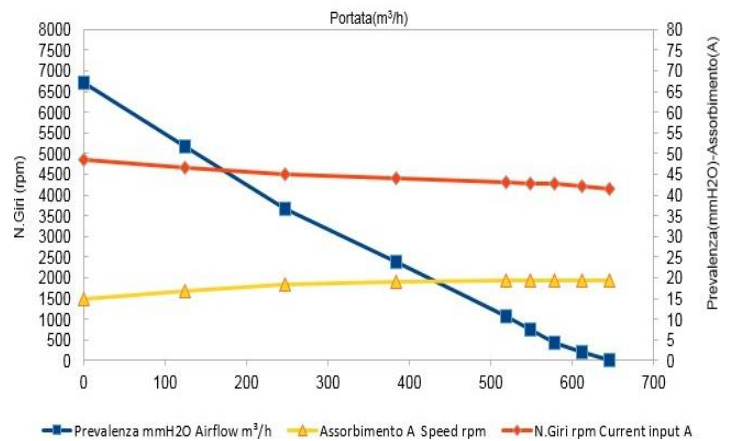


- Test voltage 26V d.c.
- 3 or 4 speed resistor

233.5414 12V DC

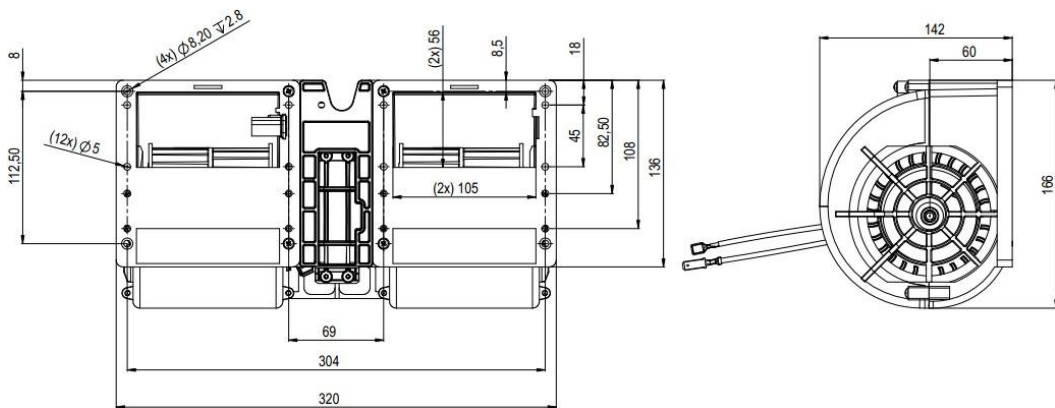
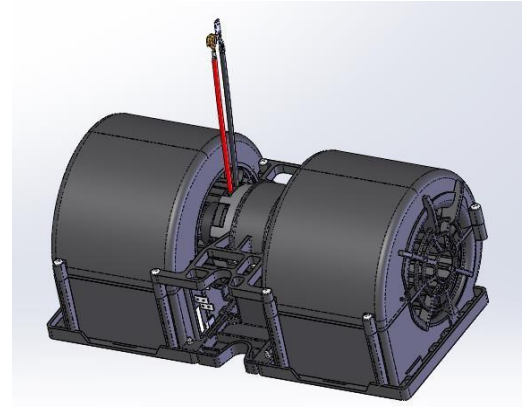


Airflow [m ³ /h]	Static Pressure [mm H ₂ O]	Speed [Rpm]	Current Input [A]
0	67.2	4849	14.9
124	51.8	4670	16.7
248	36.5	4490	18.5
383	23.7	4405	18.9
519	10.8	4320	19.3
549	7.5	4290	19.3
578	4.3	4260	19.3
612	2.1	4210	19.3
646	0.0	4160	19.3

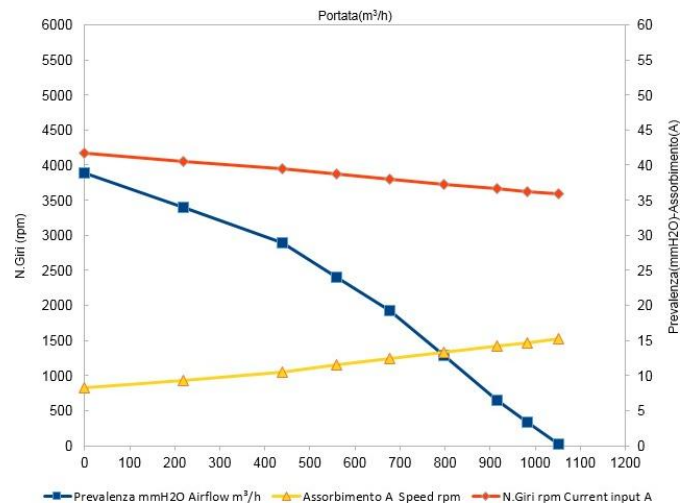


- Test voltage 13V d.c.
- 3 or 4 speed resistor

233.5460 12V DC

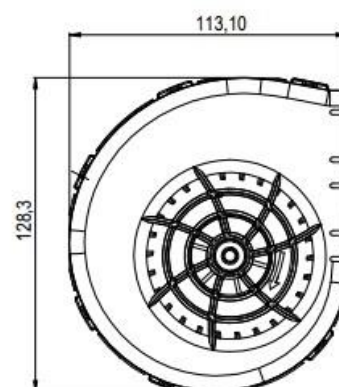
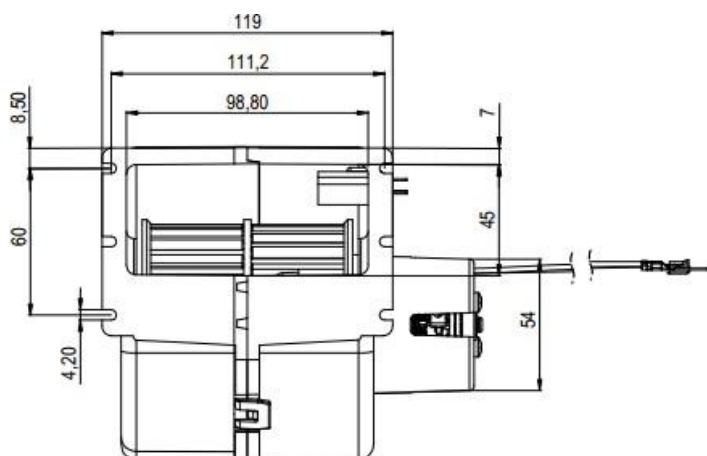


Airflow [m ³ /h]	Static Pressure [mm H ₂ O]	Speed [Rpm]	Current Input [A]
0	38.9	4170	8.2
219	33.9	4058	9.4
439	28.9	3945	10.5
558	24.0	3873	11.5
678	19.2	3800	12.4
797	12.8	3730	13.3
916	6.5	3660	14.2
983	3.3	3625	14.7
1051	0.2	3590	15.2

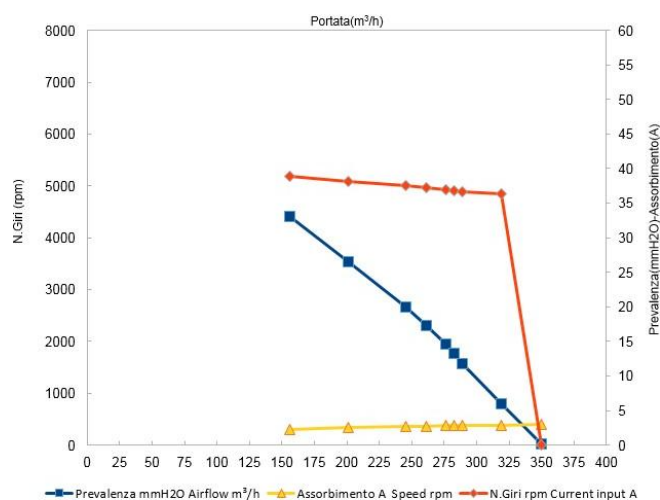


- Test voltage 13V d.c.
- 3 or 4 speed resistor

233.5575 24V DC

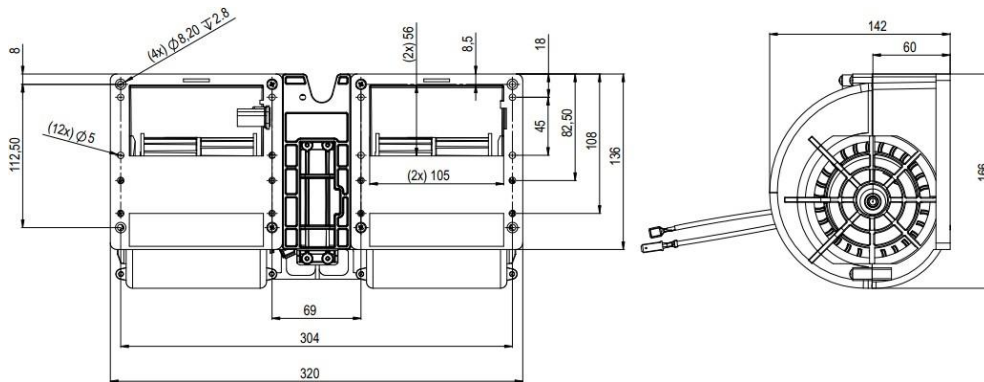
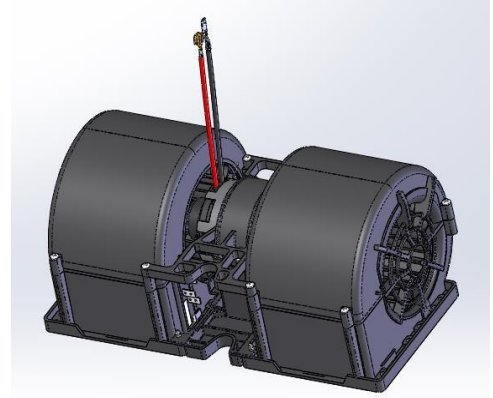


Airflow [m ³ /h]	Static Pressure [mm H ₂ O]	Speed [Rpm]	Current Input [A]
156	33.1	5185	2.3
201	26.6	5093	2.5
246	20.0	5000	2.7
261	17.3	4964	2.7
276	14.6	4928	2.8
283	13.2	4905	2.8
289	11.8	4881	2.8
319	6.0	4841	2.9
350	0.2	4800	3.0



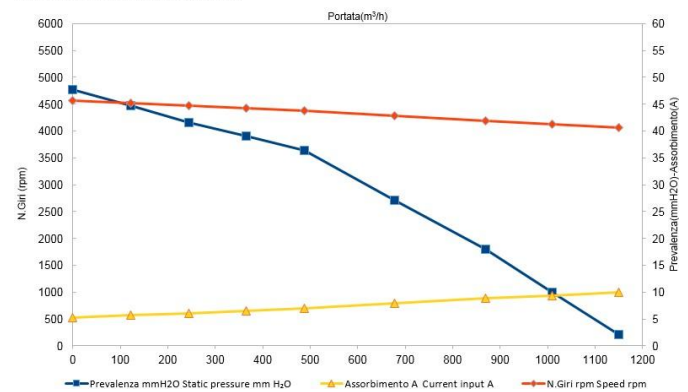
- Test voltage 13V d.c.
- 3 or 4 speed resistor

233.5615 24V DC



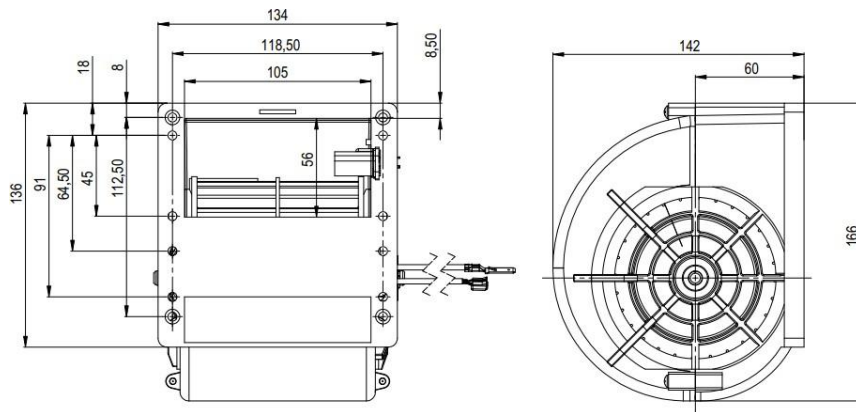
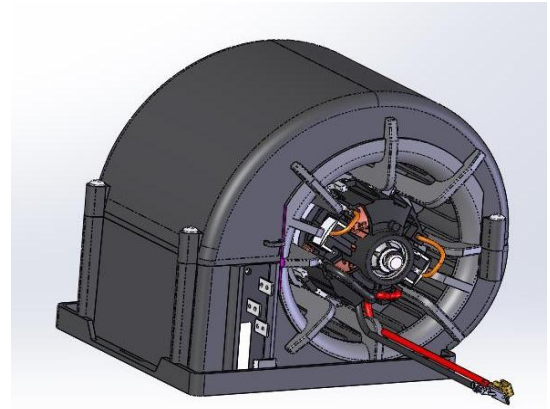
Airflow [m ³ /h]	Static Pressure [mm H ₂ O]	Speed [Rpm]	Current Input [A]
0	47.7	4565	5.3
122	44.7	4520	5.7
245	41.6	4475	6.1
366	39.0	4430	6.5
487	36.4	4385	6.9
678	27.2	4288	7.9
869	18.0	4190	8.8
1010	10.0	4125	9.4
1150	2.0	4060	10.0

Ventilatore Electroparts n.233.5615

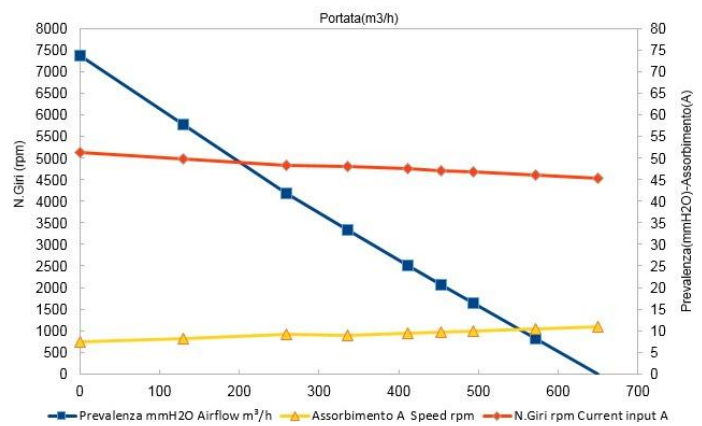


- Test voltage 26V d.c.
- 3 or 4 speed resistor

233.5621 24V DC

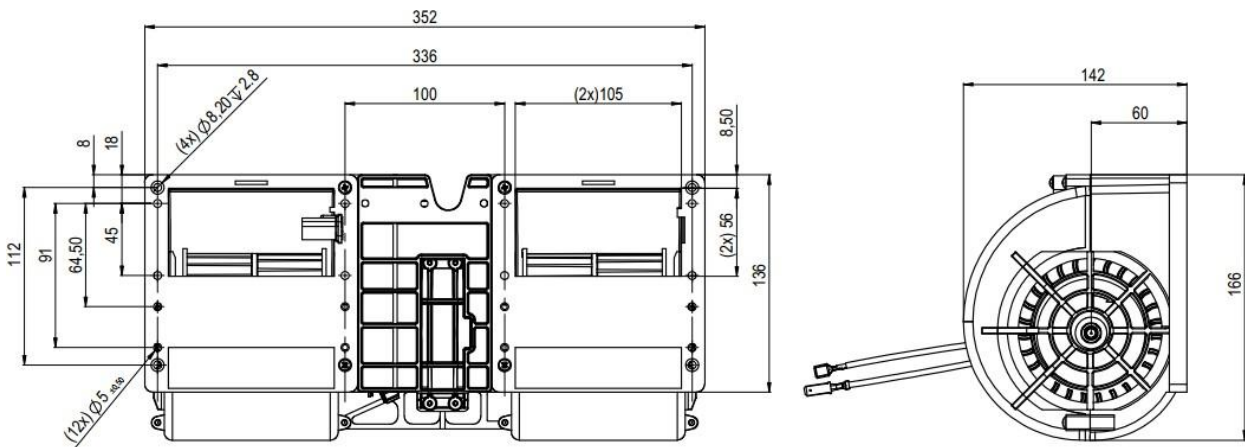
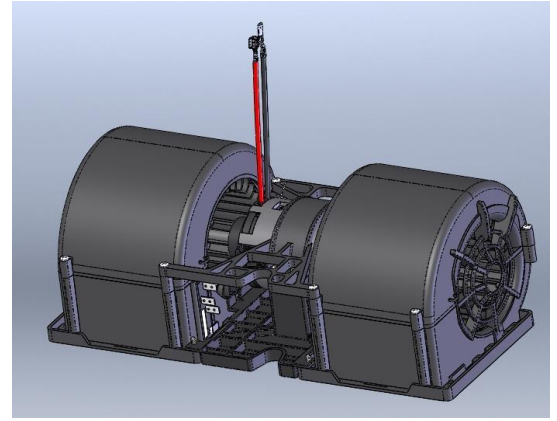


Airflow [m ³ /h]	Static Pressure [mm H ₂ O]	Speed [Rpm]	Current Input [A]
0	73.8	5120	7,4
130	57.8	4980	8.3
260	41.8	4840	9,1
336	33.4	4795	9.3
411	25.1	4750	9,5
453	20.7	4713	9.7
494	16.3	4675	9,8
572	8.2	4603	10.4
650	0.0	4530	10,9

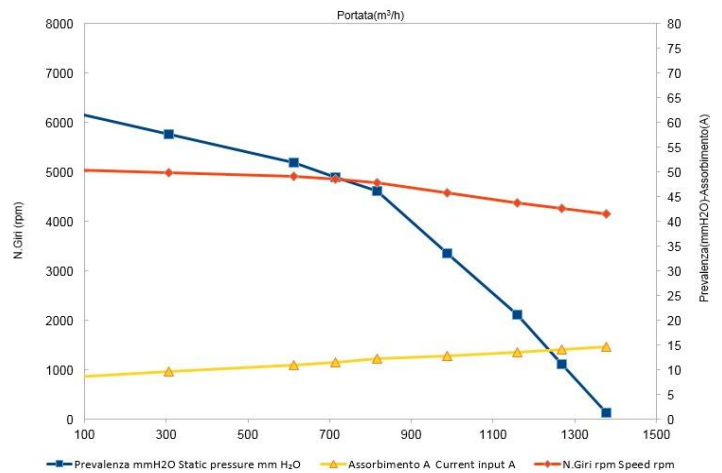


- Test voltage 26V d.c.
- 3 or 4 speed resistor

233.5644 24V DC

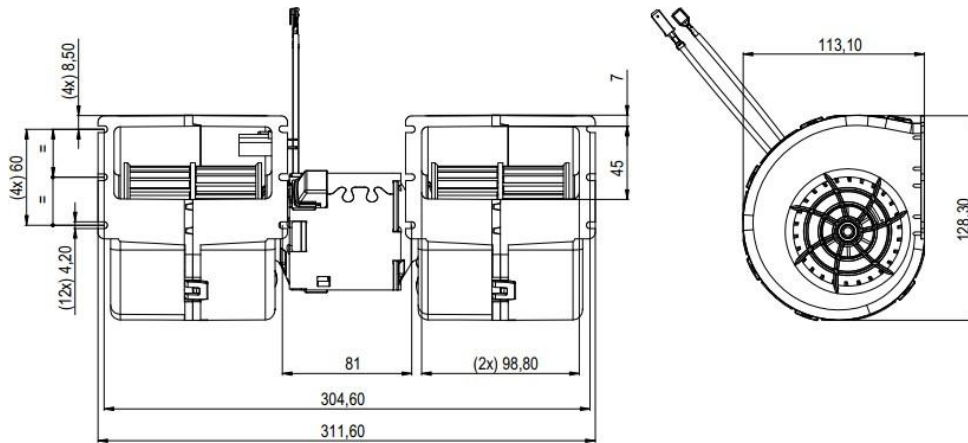


Airflow [m ³ /h]	Static Pressure [mm H ₂ O]	Speed [Rpm]	Current Input [A]
0	63.4	5064	8.2
306	57.6	4992	9.6
612	51.8	4920	11.0
714	49.0	4849	11.6
815	46.1	4778	12.2
988	33.6	4582	12.9
1160	21.1	4385	13.6
1269	11.2	4274	14.1
1378	1.3	4163	14.6



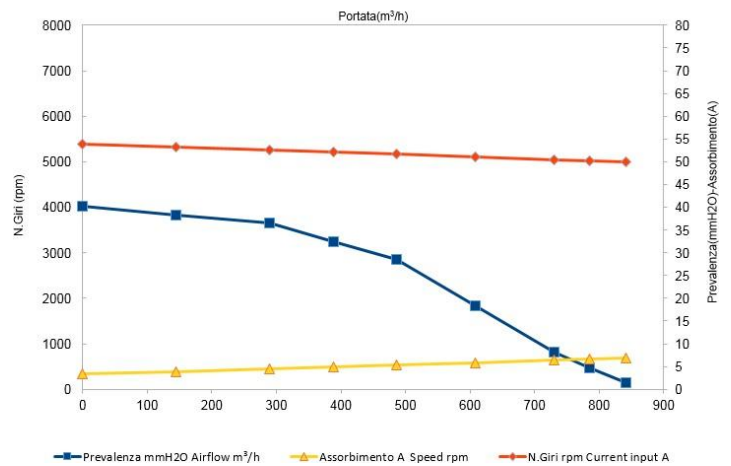
- Test voltage 26V d.c.
- 3 or 4 speed resistor

233.5645 24V DC



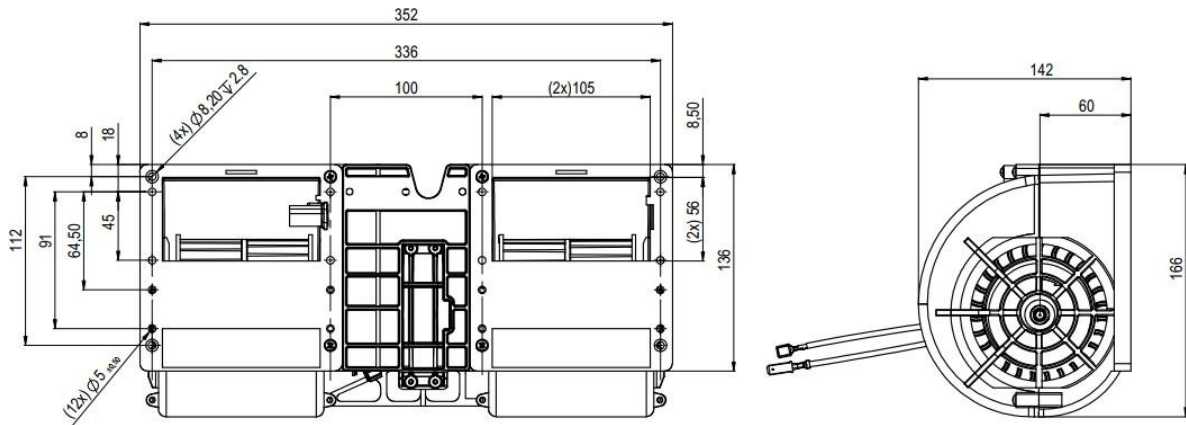
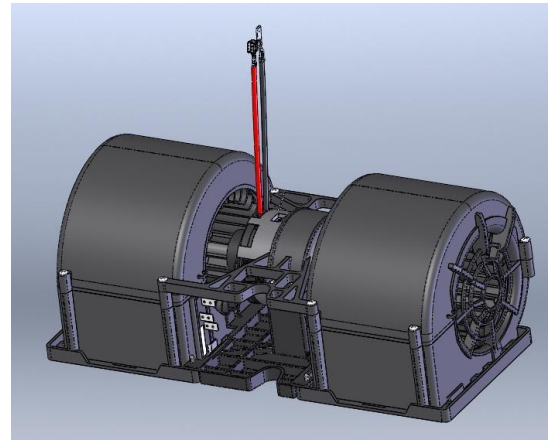
Airflow [m ³ /h]	Static Pressure [mm H ₂ O]	Speed [Rpm]	Current Input [A]
0	40.2	5376	3.3
145	38.3	5315	3.9
290	36.4	5254	4.5
388	32.5	5209	4.9
487	28.5	5163	5.3
608	18.3	5103	5.9
730	8.2	5043	6.4
786	4.8	5022	6.7
842	1.4	5000	6.9

Ventilatore Electroparts n.233.5645

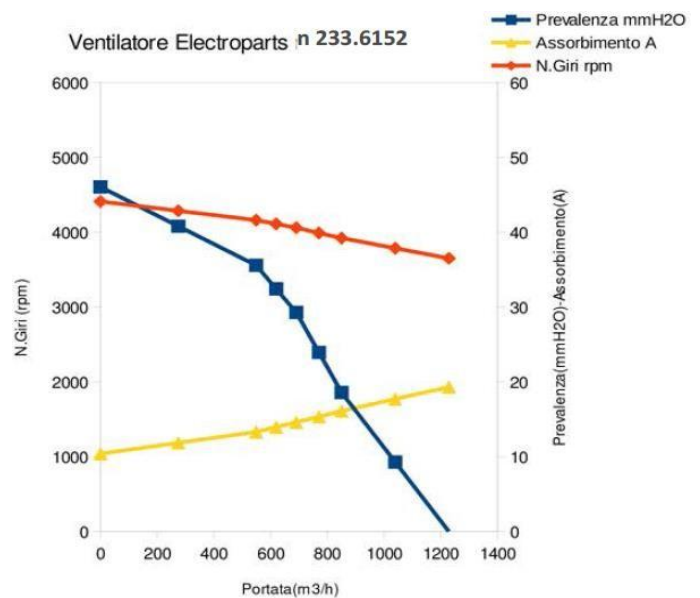


- Test voltage 26V d.c.
- 3 or 4 speed resistor

233.6152 12V DC

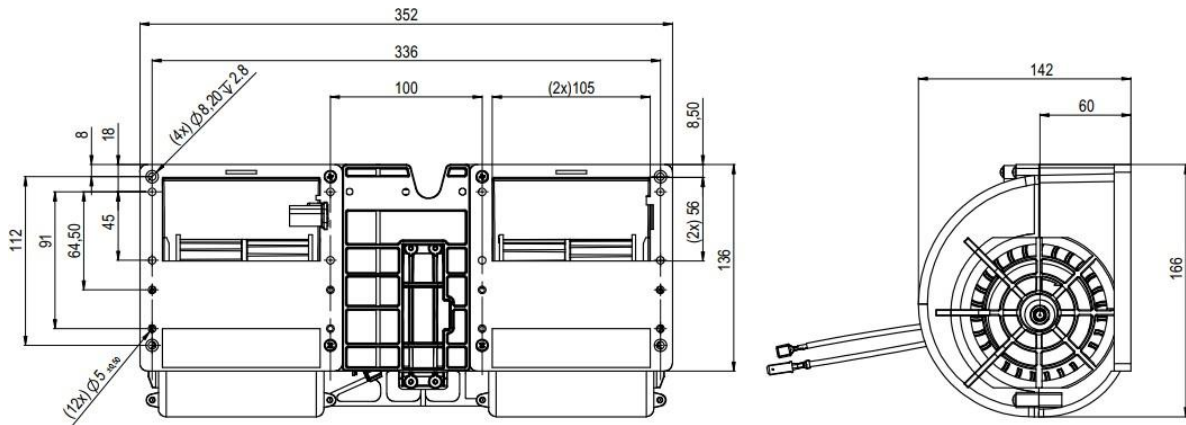
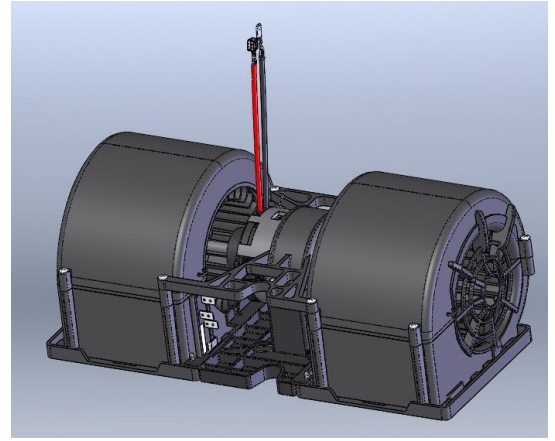


Airflow [m ³ /h]	Static Pressure [mm H ₂ O]	Speed [Rpm]	Current Input [A]
1229	0.0	3650	19.3
1040	9.3	3785	17.7
850	18.6	3920	16.1
771	23.9	3990	15.4
691	29.3	4060	14.6
620	32.4	4110	14.0
549	35.6	4160	13.3
275	40.8	4285	11.9
0	46.0	4410	10.4

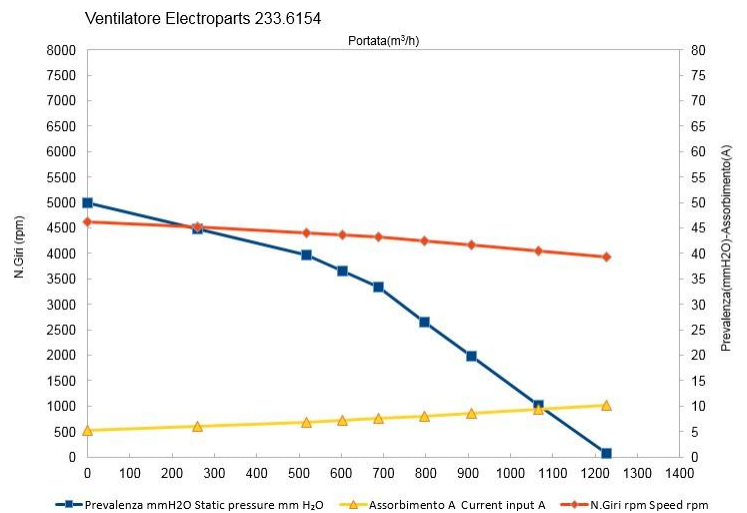


- Test voltage 13V d.c.
- 3 or 4 speed resistor

233.6154 24V DC

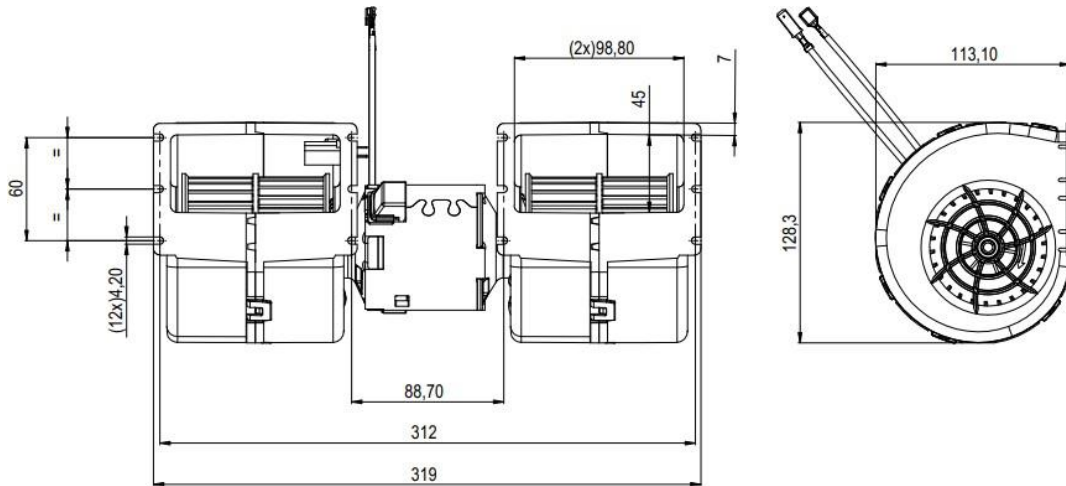
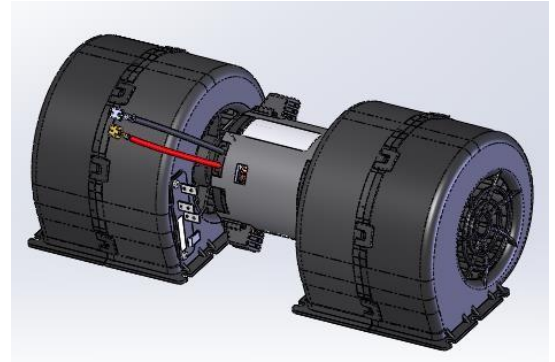


Airflow [m ³ /h]	Static Pressure [mm H ₂ O]	Speed [Rpm]	Current Input [A]
0	50.0	4610	5.3
259	44.9	4510	6.1
519	39.8	4410	6.9
603	36.6	4365	7.2
687	33.5	4320	7.5
797	26.6	4245	8.1
907	19.7	4170	8.6
1067	10.2	4050	9.4
1228	0.7	3930	10.1

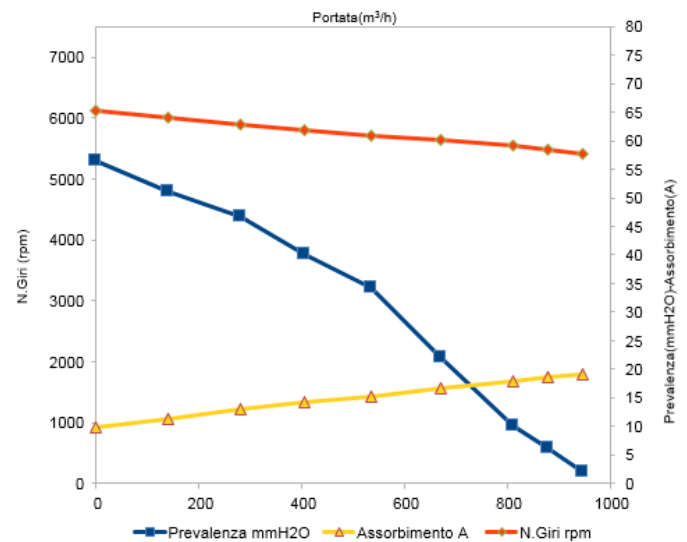


- Test voltage 26V d.c.
- 3 or 4 speed resistor

233.6258 12V DC

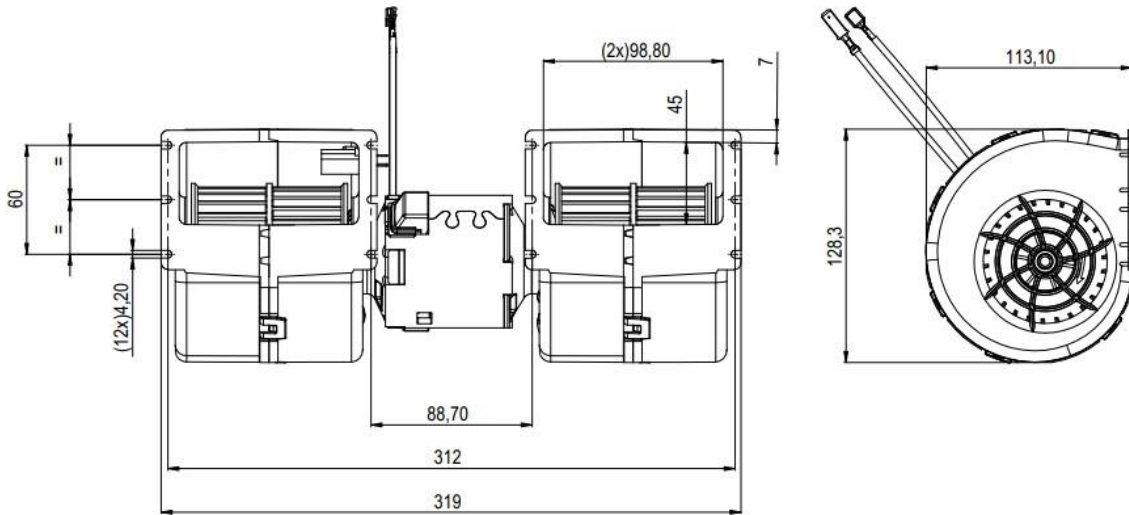
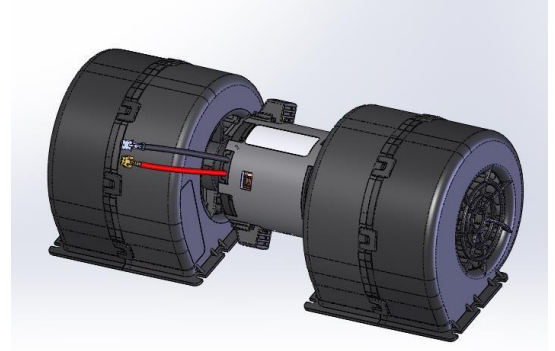


Airflow [m ³ /h]	Static Pressure [mm H ₂ O]	Speed [Rpm]	Current Input [A]
0	56.5	6115	9.8
140	51.0	6005	11.4
280	46.8	5892	13.0
406	40.2	5803	14.1
534	34.3	5710	15.3
671	22.1	5631	16.7
812	10.1	5551	18.0
879	6.1	4578	18.7
947	2.0	5408	19.2



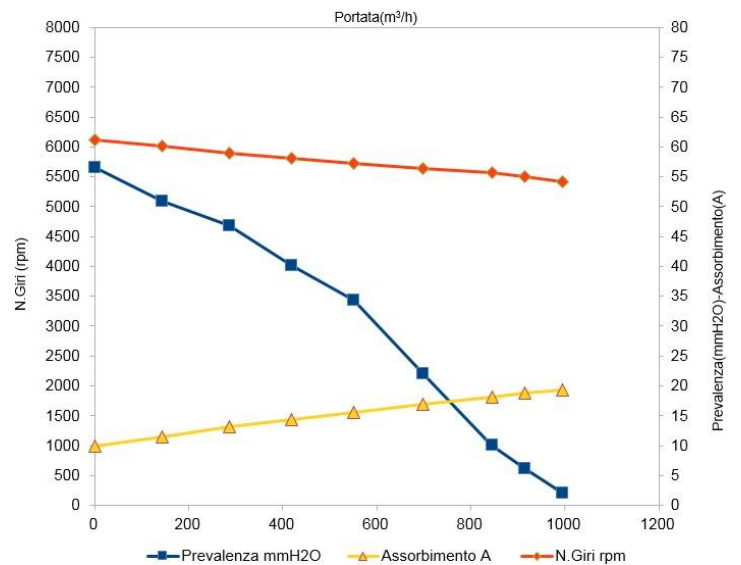
- Test voltage 13V d.c.
- 3 or 4 speed resistor

233.6262 12V DC



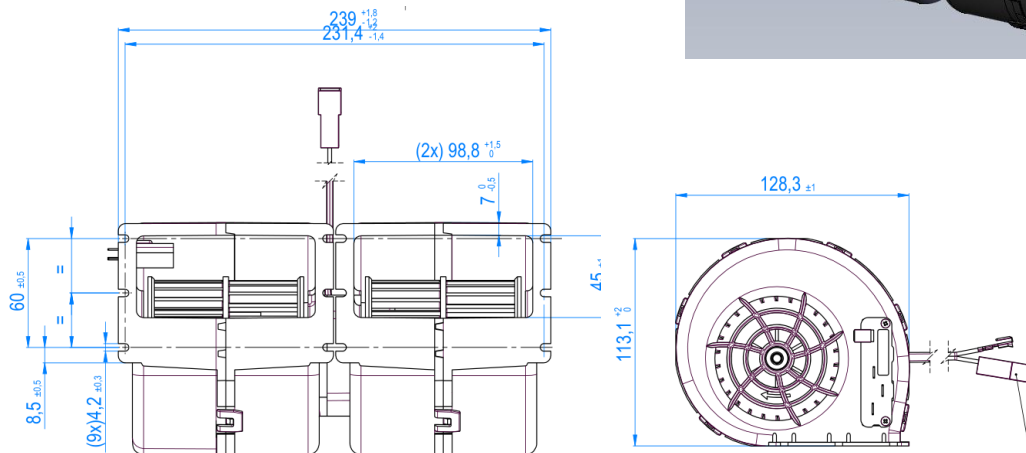
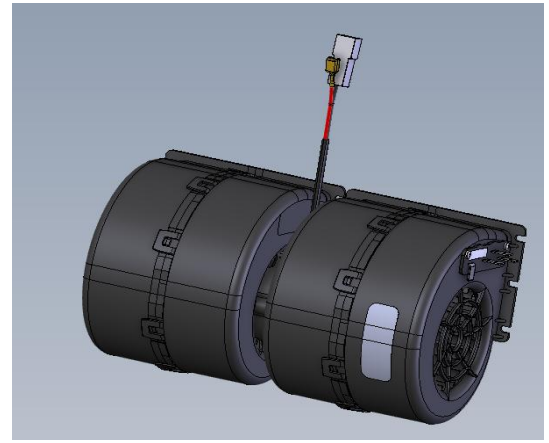
Airflow [m ³ /h]	Static Pressure [mm H ₂ O]	Speed [Rpm]	Current Input [A]
0	56.7	6121	10.0
143	51.1	6010	11.5
286	46.6	5900	13.2
418	40.2	5813	14.3
550	34.4	5723	15.6
698	22.0	5645	17.0
844	10.3	5568	18.1
914	6.2	5496	18.8
994	2.1	5426	19.4

Ventilatore Electroparts 233 6262



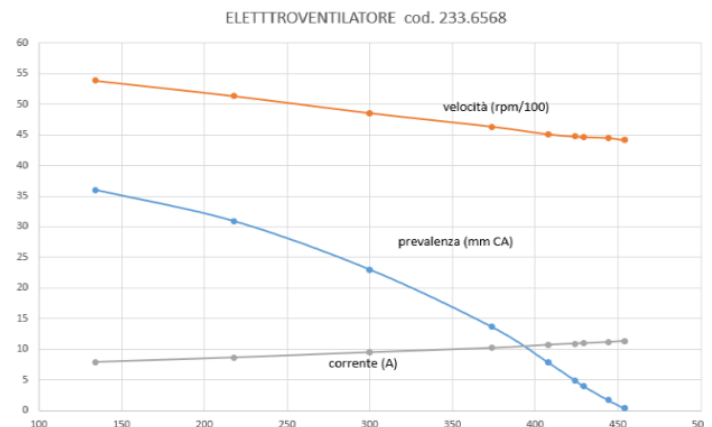
- Test voltage 13V d.c.
- 3 or 4 speed resistor

233.6568 12V DC



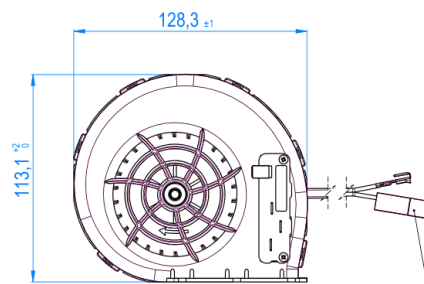
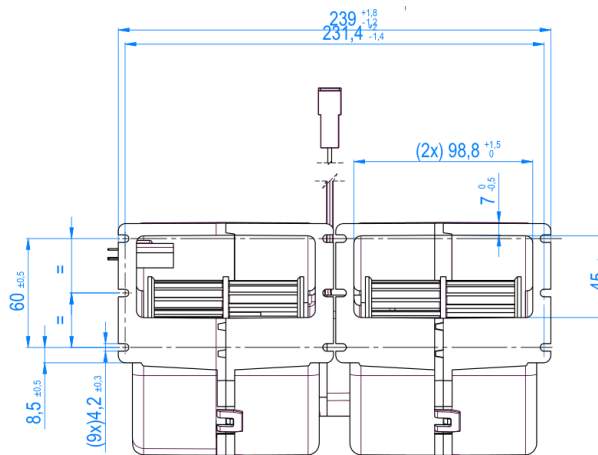
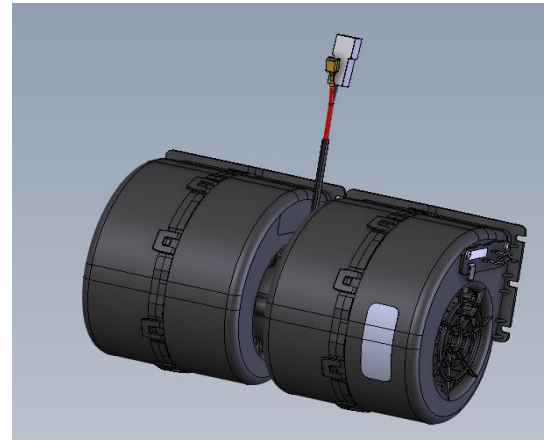
Blocchetto a 1 via
porta maschio
cod. 23BLC00007
o equivalente

Airflow [m ³ /h]	Static Pressure [mm H ₂ O]	Speed [Rpm]	Current Input [A]
134	36,0	5390	7,92
218	30,9	5137	8,64
300	23,0	4860	9,48
374	13,6	4637	10,18
408	7,8	4512	10,69
424	4,9	4476	10,89
429	4	4466	10,94
444	1,7	4451	11,13
454	0,3	4415	11,31



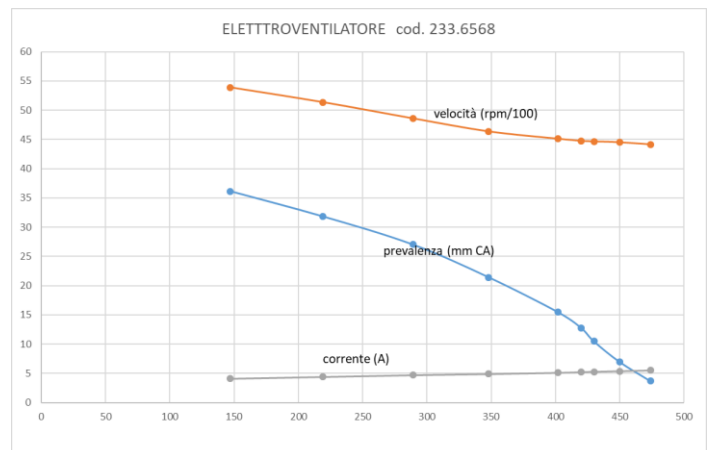
- Test voltage 13V d.c.
- 3 or 4 speed resistor

233.6805 24V DC



Blocchetto a 1 via
porta maschio
cod. 23BLC00007
o equivalente

Airflow [m ³ /h]	Static Pressure [mm H ₂ O]	Speed [Rpm]	Current Input [A]
147	36,1	5350	4,12
219	31,8	5080	4,43
289	27,0	4815	4,69
348	21,4	4610	4,88
402	15,5	4495	5,10
420	12,8	4460	5,21
430	10,5	4445	5,28
450	7,0	4432	5,38
474	3,7	4400	5,50



- Test voltage 26V d.c.
- 3 or 4 speed resistor

ELECTRO-PARTS SpA

Designing and manufacturing of
DC & BLDC Electric Motors | Gearmotors | Blowers | Fans

CONTACTS

For any further info please contact us at the following address

[*sales@electro-parts.com*](mailto:sales@electro-parts.com)

www.electro-parts.com

